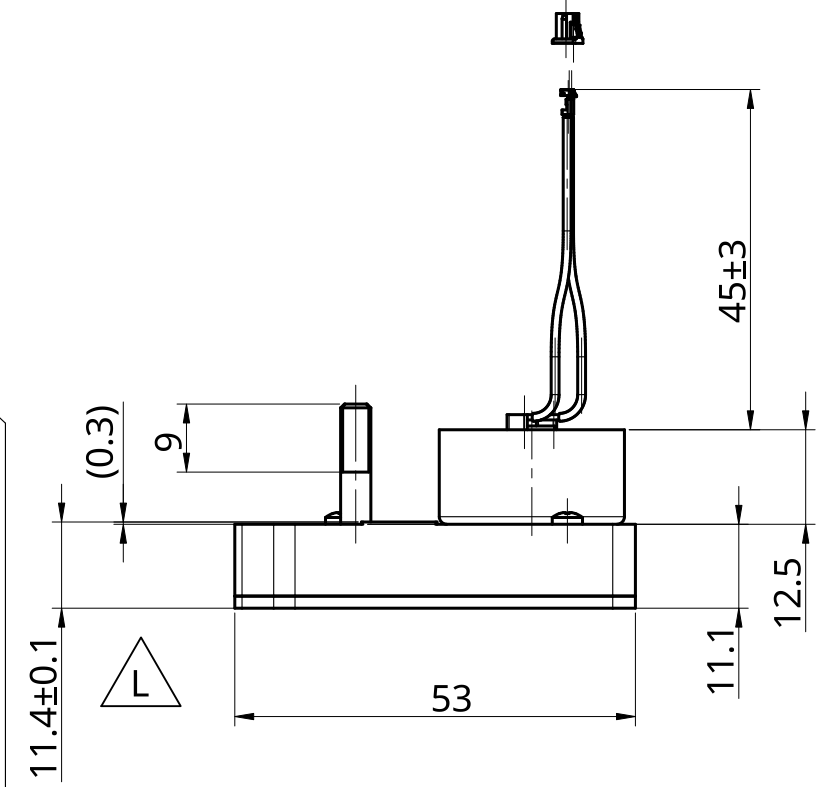
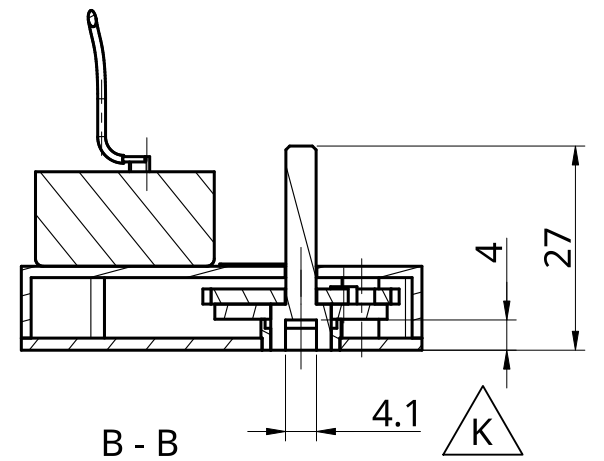
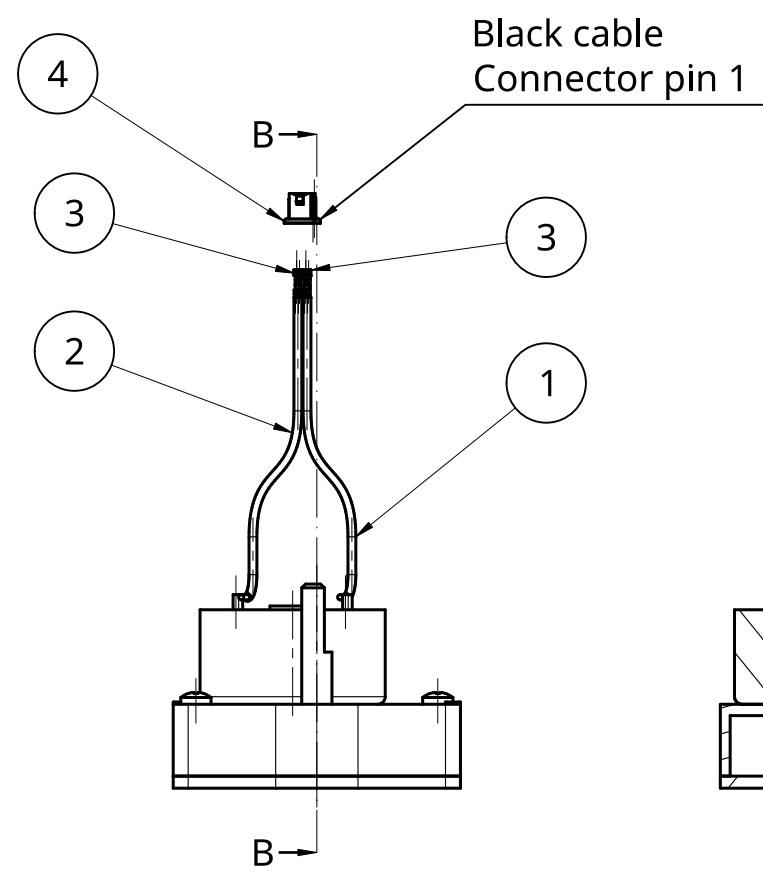
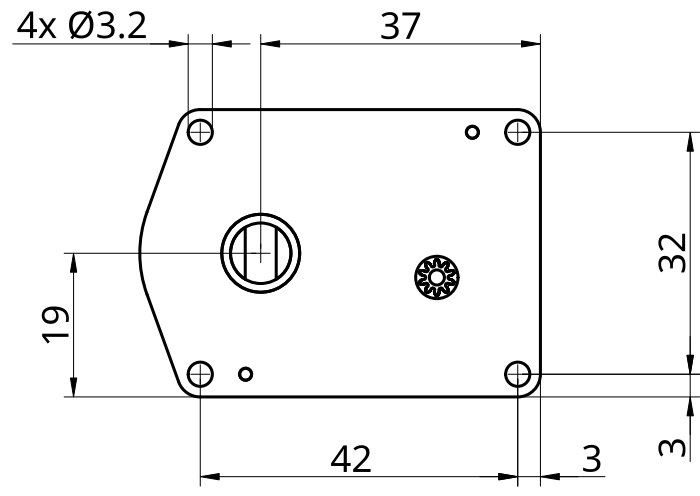
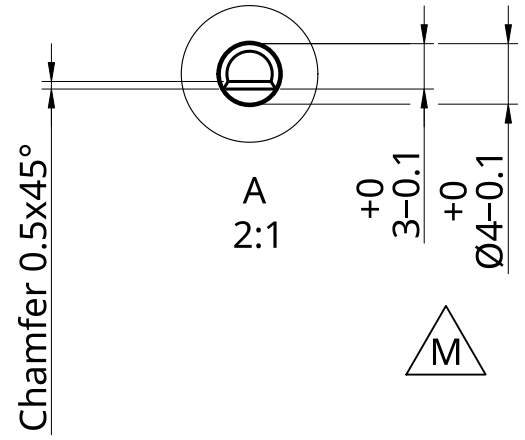
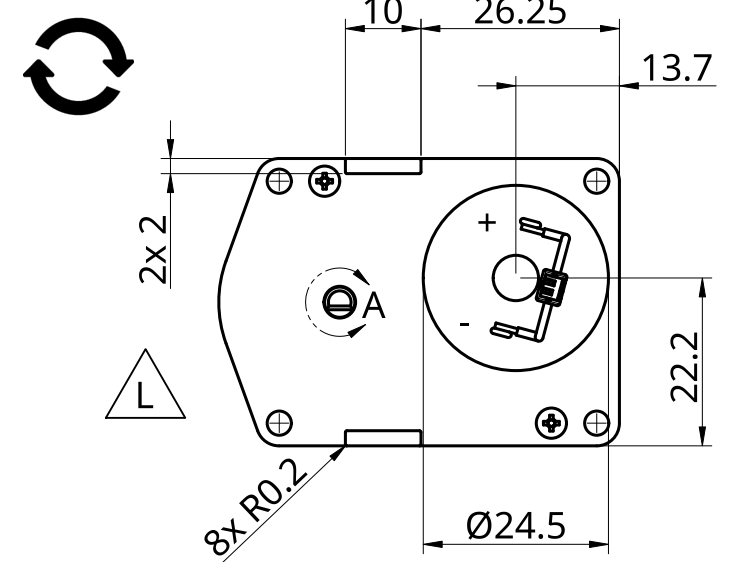


REVISIONS

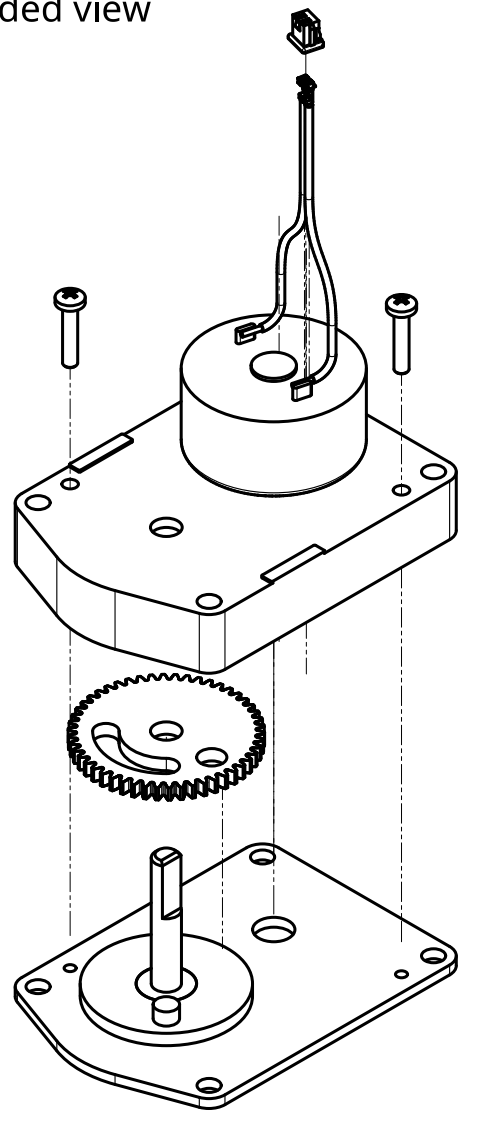
Revision	Revision description	Date approved	Approver
L	Added material	03/10/2022	Peter Eriksson
M	Updated tolerance	09/07/2022	Peter Eriksson



Direction of rotation
when positive voltage
on red cable



Exploded view



Note: All gears are not shown

Torque: 2.5 nm
Gear ratio: 1:3500

Item	Quantity	Part number	Description
1	1		Cable AWG26 Black
2	1		Cable AWG26 Red
3	2	50079-8000	Crimp
4	1	510210200	Connector

Material		Remark	
Sheet	Scale	View	General tolerance
A3	1:1		ISO 2768 mK
		General roughness	
		Ra	
		Designed	
		2020-12-01	
		PETER ERIKSSON	
		Approved	
		2022-09-07	
		PETER ERIKSSON	
		Project	
		Drawing number	
		Sheet 1 of 1	
		Revision	
		RELEASED	
		3059	
		M	

The reproduction, distribution and utilization of this document as well as the communication of its contents to others without expressed authorization is prohibited. Offenders will be held liable for the payment of damages. All rights reserved in the event of the grant of a patent, utility model or design.